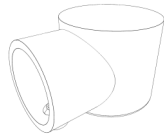


Simple Rail

Surface 518



2X
62-8
Standard Railing
Flange



2X
10-840C
Single Handrail
Socket Capped



2X
518-7
Handrail
Bracket



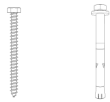
2X
84-7
Malleable Plug



1X
99-7
5/16"
Allen Key



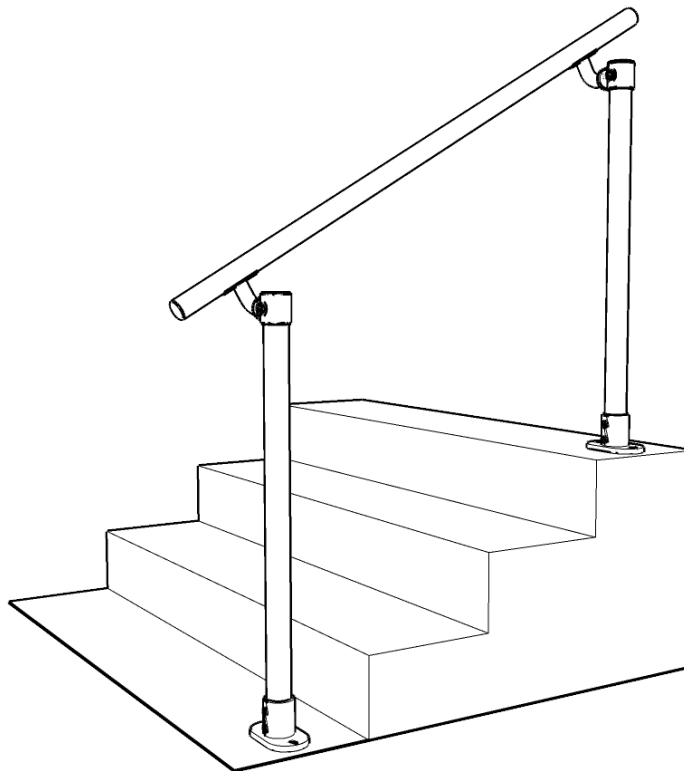
1X
99-6
1/4"
Allen Key



4X(each)
Flange Fasteners
for Wood or
Concrete



5X
1"
Self Tapping
Screws

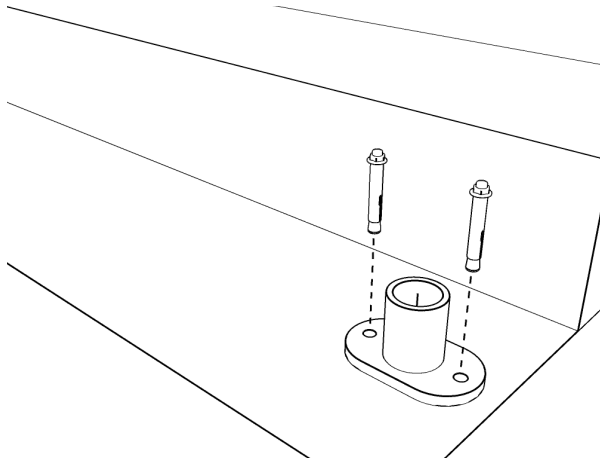


Pipe

Posts, 32.5 inches (2X)

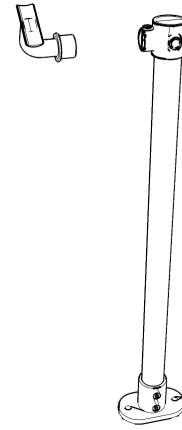
Handrail, Length Varies (1X)

1.



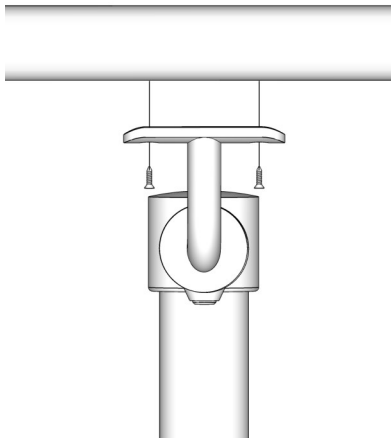
Mark and drill 1/2" holes for the flange fasteners. Use the lag screws for wood, and the sleeve anchors for concrete or masonry. Consult a contractor for any nontypical mounting s

2.



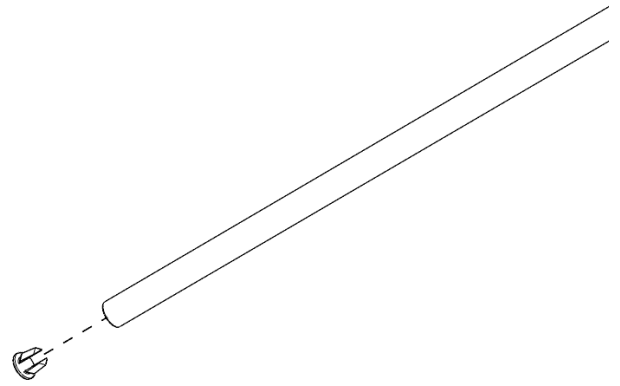
Slide the post pipe into flange socket. Slide the 10-840C onto the post pipe, then insert the handrail bracket into the side socket. Tighten set screws. Perform this action for both posts.

3.



Lay the handrail onto the brackets, with an equal amount of pipe extending past each post. Drive the self-tapping screws through the fixing holes into the pipe. Do this for both posts.

4.



Push the 84-7 Malleable Plug into the end of the handrail. Use a rubber mallet to tap the plug into the end until it's flush with the pipe edge. Do this for both ends of the handrail.

These instructions are meant to be a guide, and are not a substitute for construction experience. Consider consulting a contractor for your installation. For more information regarding Simple Rail, visit our website at <https://www.simplifiedbuilding.com/>, or speak to one of our team members, at 1 (888)527-2278.