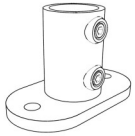


# Simple Rail

Surface 29

SIMPLIFIED  
BUILDING



2X  
62-7  
Standard Railing  
Flange



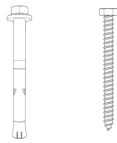
2X  
29-7  
30°-60°  
Single Socket Tee



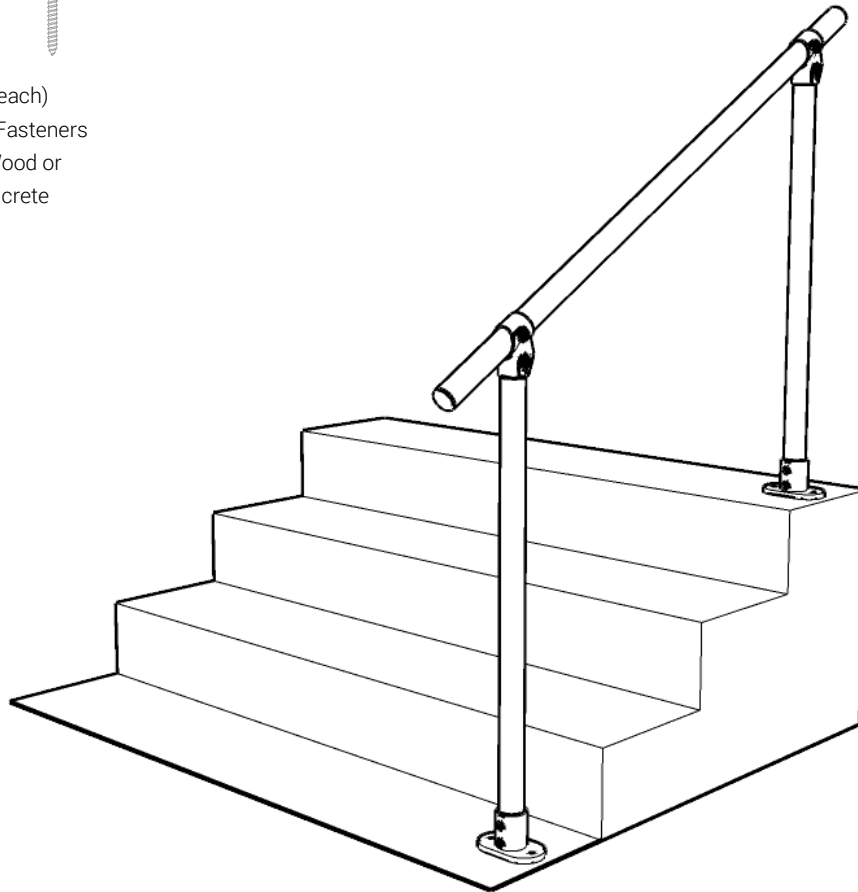
2X  
84-7  
Malleable Plug



1X  
99-7  
5/16"  
Allen Key



4X(each)  
Flange Fasteners  
for Wood or  
Concrete

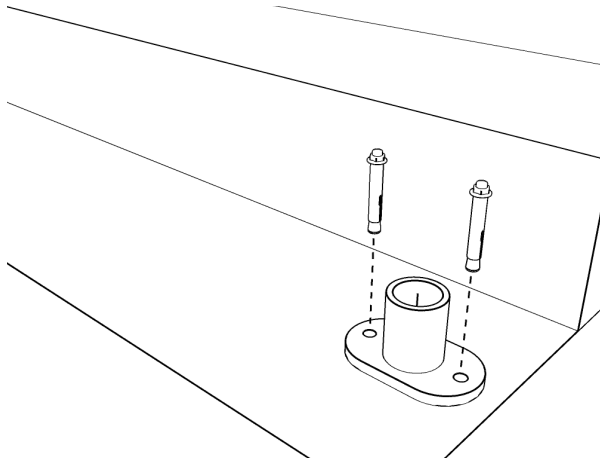


## Pipe

Posts, 36 inches (2X)

Handrail, Length Varies (1X)

**1.**



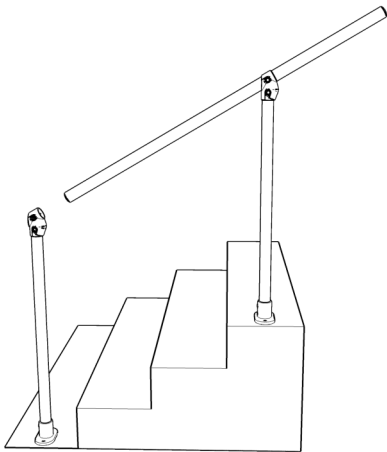
Mark and drill 1/2" holes for the flange fasteners. Use the lag screws for wood, and the sleeve anchors for concrete or masonry. Consult a contractor for any nontypical mounting surfaces.

**2.**



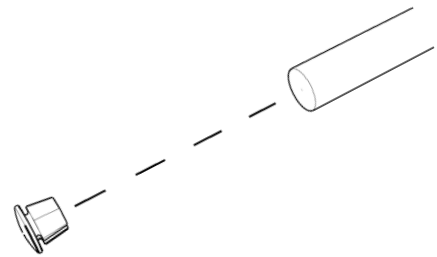
Center a 12 inch piece of pipe in the bracket on the 555-8. Attach using the #10 self-tapping screws. A pilot hole is not necessary, but may be used to make install more convenient.

**3.**



Slide the handrail pipe through the 29-7 tee sockets. Tighten set screws.

**4.**



Set the 84-7 malleable plug against each end of the handrail pipe. Cover the plug with a rag, and tap it into the pipe until the plate is flush with the end of the pipe.

Check the railing for sturdiness by pushing and pulling on the handrail. If there is any movement, re-tighten all set screws.

These instructions are meant to be a guide, and are not a substitute for construction experience. Consider consulting a contractor for your installation. For more information regarding Simple Rail, visit our website at <https://www.simplifiedbuilding.com/>, or speak to one of our team members, at 1 (888)527-2278.